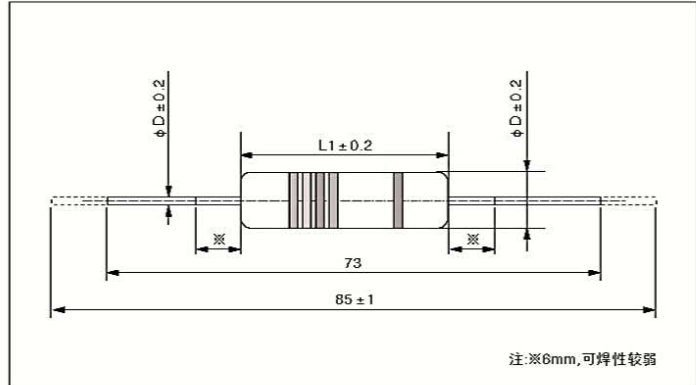


## ■ 构造图 Construction(mm)



## ■ 产品特点 Features

- 完全塑封结构
- 正常工作时为普通电阻器，
- 当电路中电压瞬间增大时，能迅速断开电路
- Full-molded construction
- Worked as a normal resistor, as usual
- When the voltage increased instantly, the circuit can be opened quickly

## ■ 应用范围 Applications

- 主要应用于安防产品
- 仪器仪表
- 电子设备的保护电路中
- Mainly applied in safeguard products
- Meters and instruments
- Protection circuits of electronic devices

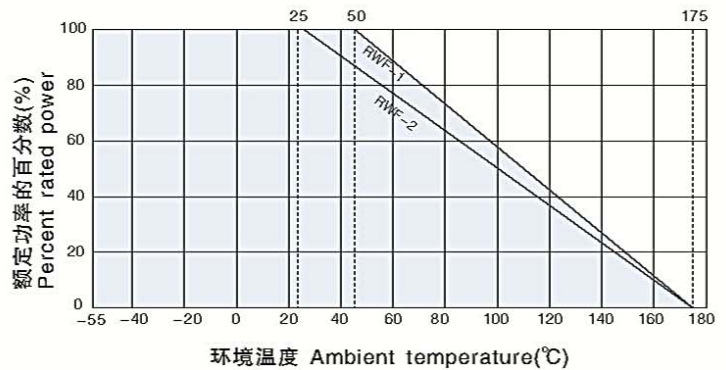
## ■ 执行标准 Reference Standards

Q/ATK 064

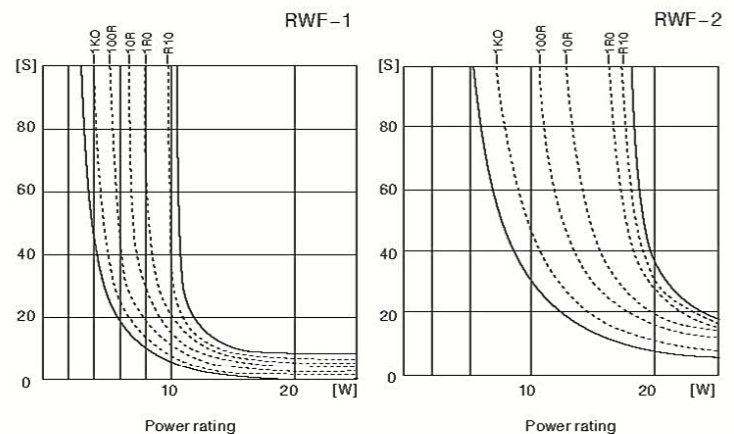
## ■ 外形尺寸 Dimensions(mm)

型号 Type	L1 ± 0.2	D ± 0.2	d ± 0.2
RWF-1	9.9	3.6	0.8
RWF-2	14.3	5.7	0.8

## ■ 降功耗曲线 Derating Curve



## ■ 熔断性能 Fusing Property



## ■ 技术说明 Technical Specifications

型号 Type	额定功率(W) Rated Power			阻值范围 Resistance Range		阻值精度 Tolerances	绝缘电压 Insulation Voltage
	25℃	50℃	70℃	最小值 Min	最大值 Max		
RWF-1	/	1.0	0.75	0R1	1K	±5%, ±10%	700V
RWF-2	2.0	/	1.5	0R1	1K	±5%, ±10%	1000V

## ■ 性能指标 Performance

试验项目 Test Item	性能要求 Specifications	试验方法 Test Method
寿命试验 Load life	$\Delta R \leq \pm(5\%R \pm 0.1\Omega)$	70℃, $P_R$ , 1000h
稳态湿热 Damp heat, steady state	$\Delta R \leq \pm(5\%R \pm 0.1\Omega)$	40℃, RH93±3%, 56d
气候顺序 Climatic category	$\Delta R \leq \pm(5\%R \pm 0.1\Omega)$	275℃, 16h/55℃, RH93±3%, 24h/ -55℃, 2h/8.5kpa, 15~35℃, 1h
耐焊接热 Leaching	$\Delta R \leq \pm(1\%R + 0.05\Omega)$	350±10℃, 3.5±0.5S
可焊性 Solderability	≥95%	235±5℃, 2±0.5S

## ■ 订货示例 How To Order

例如 Example

RWF	2	1.5W	51R	±5%	盒装 Boxes
产品型号 Type	类型 Style	功率 Power	标称阻值 Nominal Value	精度 Tolerance	包装方式 Packaging
RWF	1 2	0.75W 1.5W	51R	±5% ±10%	盒装/编带 Boxes/Tape

## 电阻器的贮存方法及保质期 Storage methods and expiry date

电阻器应贮存在正常温度和较干燥的环境内，无酸及其它有害气体，存放时尽量放在原包装的塑料自封袋内，不要直接暴露在大气中，这样可以防止电阻器老化及引线氧化，延长贮存寿命，一般情况下，电阻器可以保存10年。

Resistors should be stored in normal temperature and dry environment, also no acid or other hazardous gas inside.

It will be better to keep products in its original valve bag instead of exposing in air directly, so that it can avoid aging and being oxidized against leads, also will be good to their storage life, in normal circumstance, resistors can be stored for 10 years without deterioration if being kept properly.