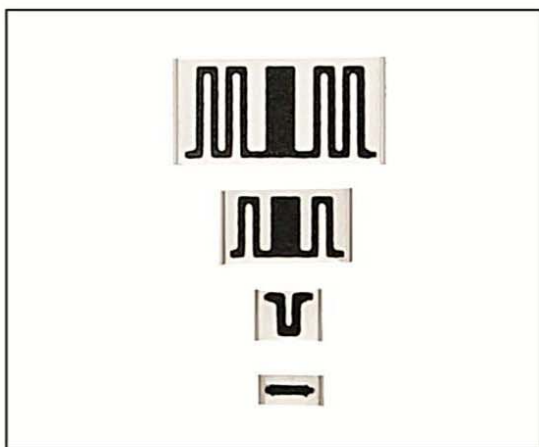
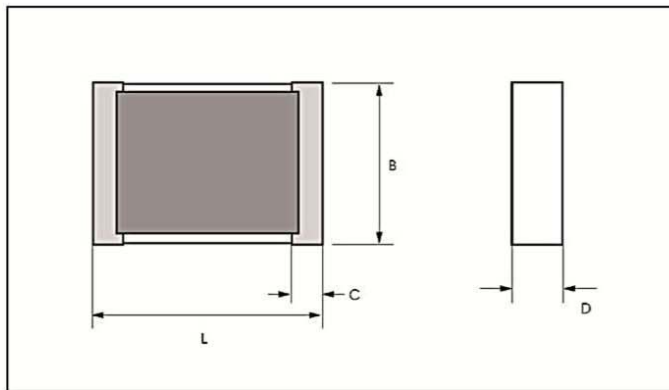


CHR 可粘接厚膜片式电阻器

high value thick film chip resistors for gluing



构造图 Construction



产品特点 Features

- 厚膜片式化电阻
- 端头PIAg-无磁性
- 适合粘接或焊接
- 高频型不可调或用喷气调阻(0805、1206)
- Chip resistors in thick film
- Contact areas PIAg-non-magnetic
- Suited for gluing and soldering
- RF-versions untrimmed or air-abrasive trimmed(0805,1206)

外形尺寸 Dimensions(mm)

型号 Type	L	B	D	C
0402	1.04 ^{+0.05}	0.5 ^{+0.05}	0.3 ^{+0.05}	0.1 ^{+0.1/-0.05}
0504	1.25 ^{+0.15/-0.05}	1.0 ^{+0.15/-0.05}	0.3 ^{+0.15/-0.05}	0.2 ^{+0.2/-0.1}
0603	1.5 ^{+0.15/-0.05}	0.8 ^{+0.15/-0.05}	0.4 ^{+0.15/-0.05}	0.2 ^{+0.2/-0.1}
0805	2.0 ^{+0.15/-0.05}	1.25 ^{+0.15/-0.05}	0.4 ^{+0.15/-0.05}	0.2 ^{+0.2/-0.1}
1206	3.2 ^{+0.15/-0.05}	1.5 ^{+0.2/-0.05}	0.4 ^{+0.15/-0.05}	0.3 ^{+0.2/-0.1}

应用范围 Applications

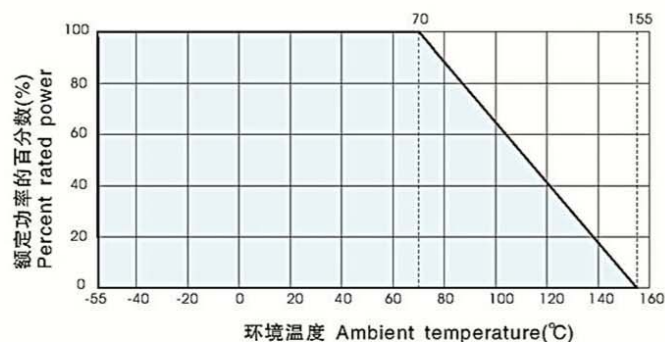
- 电脑
- 移动通信
- 仪器仪表
- 各类电子设备
- Computers
- Telecom and wireless
- Meters and instruments
- Electrical devices

L=长度, B=宽度, D=厚度, C=包围电极宽度(mm)
 L=Length, B=Width, D=Thickness,
 C=Width of wraparound (in mm)

执行标准 Reference Standards

Q/DRT005—2009

降功耗曲线 Derating Curve



CHR 可粘接厚膜片式电阻器

high value thick film chip resistors for gluing



■ 技术说明 Technical Specifications

型号 Type	额定功率 P_{70} (mW) Power rating P_{70} (mW)	工作电压(V) Working voltage(V)		阻值范围/精度、温度系数 ¹⁾ Resistance ranges/Tolerances/TCR(ppm/°C) ¹⁾			
		刻槽 trimmed	未刻槽 untrimmed	1R~10R	10R~100R	100R~1M	1M~10M
0402	50	30	100	10/20% TC100/250	5/10% TC50/100	2/5/10% TC50/100	5/10/20% TC50/100
0504	100	50	150	5/10/20% TC100/250	2/5/10% TC50/100	1/2/5/10% TC50/100	1/2/5/10% TC50/100
0603	100	75	220	5/10/20% TC100/250	2/5/10% TC50/100	1/2/5/10% TC50/100	1/2/5/10% TC50/100
0805	125	100	300	5/10/20% TC100/250	1/2/5/10% TC50/100	0.5/.../10% TC50/100	1/2/5/10% TC50/100
1206	250	200	600	5/10/20% TC100/250	1/2/5/10% TC50/100	0.5/.../10% TC50/100	1/2/5/10% TC50/100

¹⁾温度系数25/50: 温度范围+25°C~+85°C

¹⁾TC25/50: Temperature range+25°C~+85°C

零欧姆跨接线: < 50mΩ, 温度系数最大+4000PPM/°C;
更高阻值精度、温度系数和电压系数或其它尺寸可按要求供货。

Zero-Ohm-Jumper: < 50mΩ TCR max. +4000PPM/°C
Lower values of tolerance, TCR and VCR or other sizes on request.

■ 性能指标 Performance

温度范围 Temperature range	气候类别按IEC60068 Climatic category acc.to IEC 60068	可焊性按IEC60068-2-58 ²⁾ Solderability acc.IEC60068-2-58 ²⁾	耐焊接热按IEC60068-2-58 Max.Soldering temperature acc.IEC60068-2-58
-55°C~155°C	55/155/56	235°C 2s	260°C 10s

长期稳定性 Long term stability	高温贮存125°C/1000h Storage 125°C/1000h	高温贮存155°C/1000h Storage 155°C/1000h	负荷 P_{70} /70°C/1000h Load P_{70} /70°C/1000h	短时间过负荷 Short term overload	稳态湿热(56d/40°C/96%) Damp heat(56d/40°C/96%)
≥ 10R	< 0.5%	< 1%	< 0.5%	< 0.25%	< 0.5%
< 10R	< 1%	< 2%	< 1%	< 0.5%	< 1%

²⁾装运后至6个月要求贮存在氮气中
未列特性按CECC40401-802

²⁾Up to 6 months after shipment resp,at storage in Nitrogen
Data not specified according to CECC40401-802

■ 订货示例 How To Order

例如 Example

CHR	0805	125mW	100MΩ	± 5%	± 100ppm	编带/袋装
产品型号 Type	类型 Style	功率 Power	标称阻值 Nominal Value	精度 Tolerance	温度系数 TCR	包装方式 Packaging
CHR	0402 0504 0603 0805 1206	50mW 100mW 125mW 250mW	100MΩ	± 0.5% ± 1% ± 2% ± 5% ± 10% ± 20%	± 50ppm ± 100ppm ± 250ppm	编带 tape 袋装 bag

如果对温度系数和包装方式无要求, 将按标志温度系数提供(表中最大值), 包装是散装;

If no requirements for TCR and taping,the standard TCR (highest value in table)will be supplied and packaging is bulk.