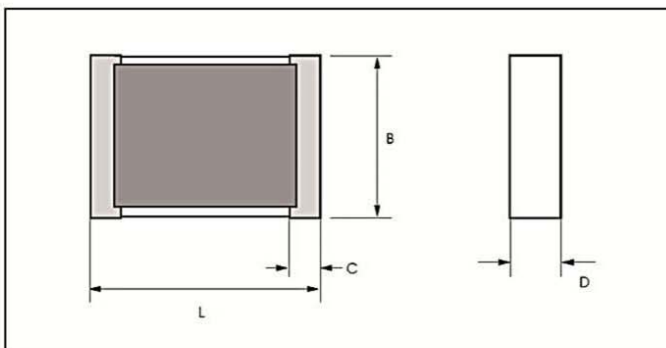




■ 构造图 Construction



■ 产品特点 Features

- 薄膜技术
- 端头镀锡——防析出
- 膜层钝化树脂保护
- 高精度(0.05%)—低温度系数(5ppm/K)
- 低噪声
- Thin film technology
- Contact areas tinned—resistant to leaching
- Resistance element resin—passivated
- Close tolerances(0.05%)—low TCR(5ppm/K)
- Extreme low noise

■ 应用范围 Applications

- 电脑
- 移动通信
- 仪器仪表
- 各类电子设备
- Computers
- Telecom and wireless
- Meters and instruments
- Electrical devices

■ 执行标准 Reference Standards

Q/ATK059

■ 外形尺寸 Dimensions(mm)

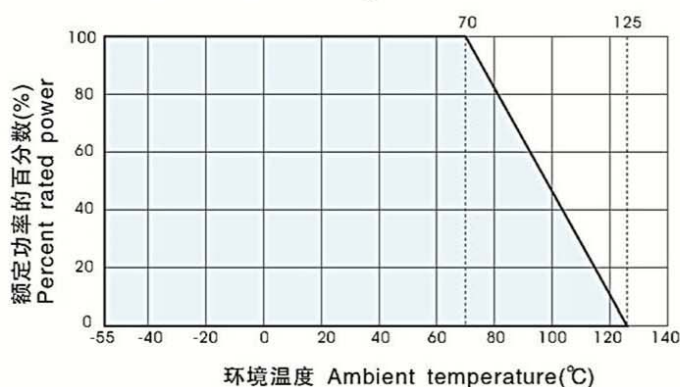
型号 Type	L	B	D	C
0603	1.6 ^{±0.1}	0.8 ^{±0.1}	0.45 ^{±0.1}	0.3 ^{±0.2}
0805	2.0 ^{±0.1}	1.25 ^{±0.1}	0.55 ^{±0.1}	0.4 ^{±0.2}
1206	3.2 ^{±0.2}	1.6 ^{±0.15}	0.55 ^{±0.1}	0.5 ^{±0.2}
2512	6.3 ^{±0.2}	3.2 ^{±0.2}	0.55 ^{±0.2}	0.5 ^{±0.2}

L=长度, B=宽度, D=厚度, C=包围电极宽度(mm)

L=Length, B=Width, D=Thickness,

C=Width of wraparound (in mm)

■ 降功耗曲线 Derating Curve



■ 技术说明 Technical Specifications

型号 Type	额定功率 P_{70} (mW) Power rating P_{70} (mW)	工作电压(V) Working voltage(V)
0603	65	75
0805	125	100
1206	250	200
2512	750	300 ¹⁾

型号 Type	阻值范围/精度、温度系数 ¹⁾ Resistance ranges/Tolerances/TCR(PPM/°C) ²⁾							
	5R1~10R	10R~47R	47R~100R	100R~332K	332K~1M	1M~2M	2M~5M	5M~15M
0603	/	0.1/.../1% TC25/50	0.1/.../1% TC10/.../50	0.1/.../1% TC5/.../50	/	/	/	/
0805	/	0.1/.../1% TC25/50	0.1/.../1% TC10/.../50	0.05/.../1% TC5/.../50	0.1/.../1% TC10/.../50	/	/	/
1206	1% Tc50	0.1/.../1% TC25/50	0.1/.../1% TC10/.../50	0.05/.../1% TC5/.../50	0.05/.../1% TC10/.../50	0.1/.../1% TC10/.../50	/	/
2512	1% Tc50	0.1/.../1% TC25/50	0.1/.../1% TC10/.../50	0.05/.../1% TC5/.../50	0.05/.../1% TC5/50	0.25/.../1% TC5/.../50	0.1/.../1% TC10/.../50	0.25/.../1% TC10/.../50

¹⁾特殊要求可达到1000V。

¹⁾1000V for special applications

²⁾温度系数5/10/15: 温度范围+25°C~+85°C

²⁾TC5/10/15: Temperature range +25°C~+85°C

性能指标 Performance

温度范围 Temperature range	气候类别按IEC60068 Climatic category acc.to IEC 60068	可焊性按IEC60068-2-58 Solderability acc.IEC60068-2-58	耐焊接热按IEC60068-2-58 Max.Soldering temperature acc.IEC60068-2-58
-55°C~125°C	55/125/56	235°C 2s	260°C 10s

长期稳定性 Long term stability	高温贮存125°C/1000h Storage 125°C/1000h	负荷P ₇₀ /70°C/1000h Load P ₇₀ /70°C/1000h	稳态湿热(56d/40°C/96%) Damp heat(56d/40°C/96%)
≥47R	<0.15%	<0.1%	<0.15%
<47R	<0.25%	<0.25%	<0.5%

未列特性按CECC40401-802

Data not specified according to CECC40401-802

订货示例 How To Order

例如 Example

CMF	0603	65mW	100Ω	±0.05%	±10PPM	编带/袋装
产品型号 Type	类型 Style	功率 Power	标称阻值 Nominal Value	精度 Tolerance	温度系数 TCR	包装方式 Packaging
CMF	0603 0805 1206 1210 2512	65mW 125mW 250mW 400mW 750mW	100Ω	±0.05% ±0.1% ±0.25%	±10PPM ±25PPM ±50PPM	编带 tape 袋装 bag

如果对温度系数和包装方式无要求, 将按标志温度系数提供(表中最大值), 包装是散装;

If no requirements for TCR and taping, the standard TCR (highest value in table) will be supplied and packaging is bulk.